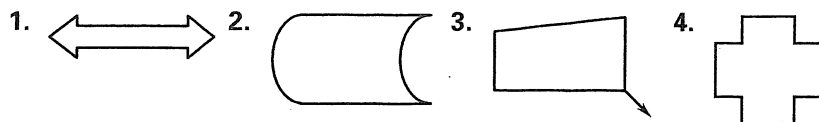


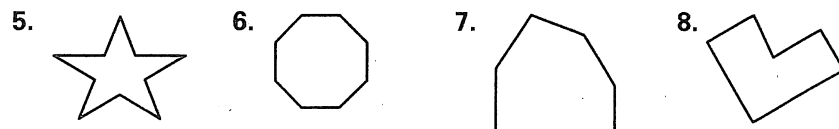
Chapter Test C

For use after Chapter 6

Decide whether the figure is a polygon.



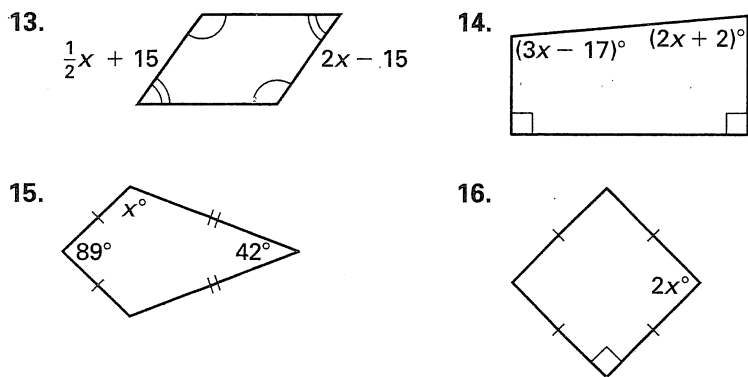
State whether the figure is *convex* or *concave*.



Decide whether the statement is *always*, *sometimes*, or *never* true.

9. A rhombus is a quadrilateral.
10. A rectangle is a trapezoid.
11. A trapezoid is an isosceles trapezoid.
12. A parallelogram is a rectangle.

Find the values of x .



Decide if you are given enough information to prove that the quadrilateral is a parallelogram.

17. One angle is a right angle
18. Two pairs of opposite sides are congruent.
19. Consecutive angles are congruent.
20. Diagonals are perpendicular and congruent.
21. Opposite sides are parallel and congruent.
22. All four sides are congruent.

1. _____
2. _____
3. _____
4. _____
5. _____
6. _____
7. _____
8. _____
9. _____
10. _____
11. _____
12. _____
13. _____
14. _____
15. _____
16. _____
17. _____
18. _____
19. _____
20. _____
21. _____
22. _____

Review and Assess